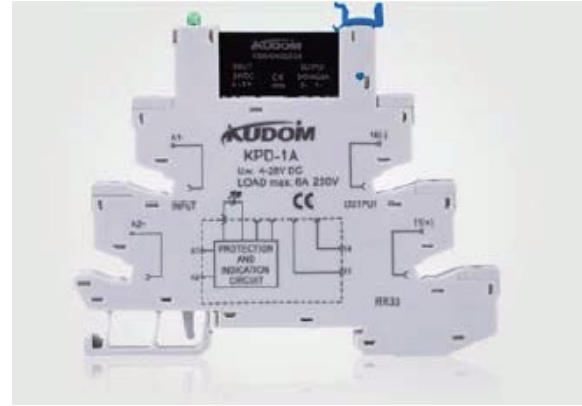


Product Description

- ◆ Optocoupler Isolation
- ◆ TRIAC Output
- ◆ Load Voltage: 240VAC
- ◆ Load Current: 1A, 2A
- ◆ Dielectric Strength 2500VACrms
- ◆ PCB or Socket Mounted
- ◆ RoHS Compliant



Ordering Information

KSM	A	240	D	1	R	-5	D
KSM Series	Load Type A: AC Load	Load Voltage 240: 240VAC	DC Control	Load Current 1: 1Amp 2: 2Amp	Switching Mode Blank: Zero Crossing R: Random-on	Control Voltage 5: 5VDC 12: 12VDC 24: 24VDC	Blank: Without Socket D: with Socket

	1A		2A	
5:4-6VDC	KSMA240D1-5	KSMA240D1R-5	KSMA240D2-5	KSMA240D2R-5
	KSMA240D1-5D	KSMA240D1R-5D	KSMA240D2-5D	KSMA240D2R-5D
12:9.6-14.4VDC	KSMA240D1-12	KSMA240D1R-12	KSMA240D2-12	KSMA240D2R-12
	KSMA240D1-12D	KSMA240D1R-12D	KSMA240D2-12D	KSMA240D2R-12D
24:19.2-28.8VDC	KSMA240D1-24	KSMA240D1R-24	KSMA240D2-24	KSMA240D2R-24
	KSMA240D1-24D	KSMA240D1R-24D	KSMA240D2-24D	KSMA240D2R-24D

General Specifications

Input Specifications (Ta=25°C)			
Control Voltage Range	-5		4-6VDC
	-12		9.6-14.4VDC
	-24		19.2-28.8VDC
Must Turn-on Voltage ⁽¹⁾	-5		4VDC
	-12		9.6VDC
	-24		19.2VDC
Must Turn-off Voltage			1VDC
Maximum Input Current			25mA

Note: (1) For KSMA with control voltage at 12V, 24V equipped with a socket, the control voltage limit should be increased by 1.4V, for example, for KSMA240D2-12D, please ensure that the control voltage is 9.6V+1.4V=11V Min

General Specifications

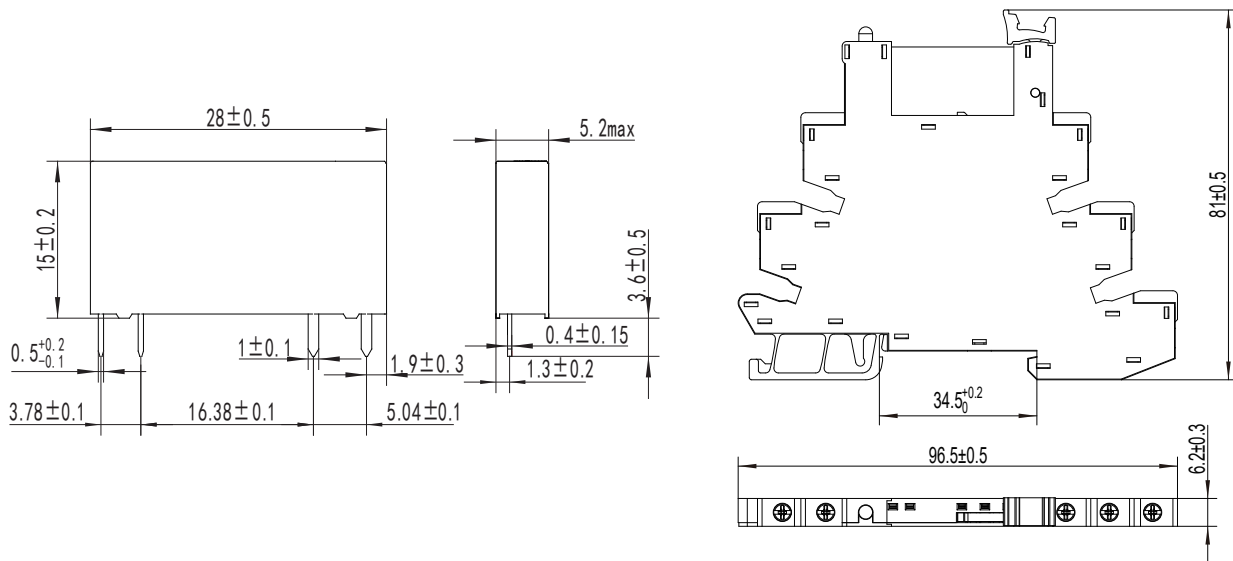
Output Specifications (Ta=25°C)		
Load Voltage Range	24-280VAC	
Maximum Transient Overvoltage	600Vpk	
Load Current Range	1A	0.1 - 1A
	2A	0.1 - 2A
Maximum Turn-on Time	Zero Crossing	1/2cycle+1ms
	Random-on	1ms
Maximum Turn-off Time	1/2cycle+1ms	
Maximum Surge Current (@10 ms)	1A	30A
	2A	40A
Maximum Off-State Leakage Current @ Rated Load Voltage	1.5mA	
Maximum On-State Voltage Drop @ Rated Current	1.5Vrms	
Minimum Off-State dv/dt @ Maximum Rated Voltage	200V/μs	

General Specifications (Ta=25°C)		
Dielectric Strength (50/60Hz)	2500Vrms	
Minimum Insulation Resistance (@500VDC)	1000MΩ	
Ambient Temperature Range	-30°C ~ +80°C	
Storage Temperature Range	-30°C ~ +100°C	
Weight (Typical)	without Socket	4g
	D: with Socket	30g

Applications

Suitable for high density PCB mounting, PLC control applications, and etc.

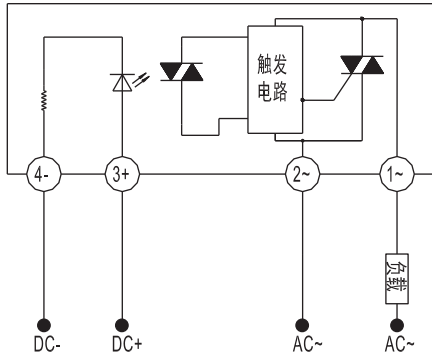
Outline Dimensions



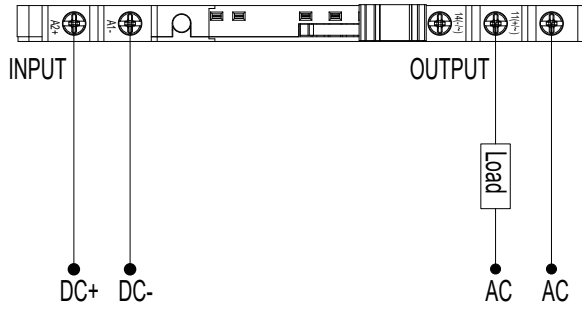
SSR

Socket Installation Drawing (Type: KPD-1A)

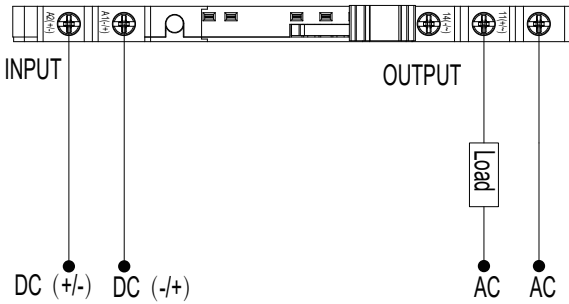
Wiring Diagram



SSR

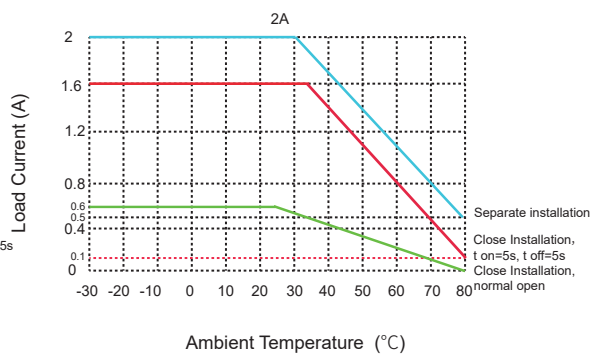
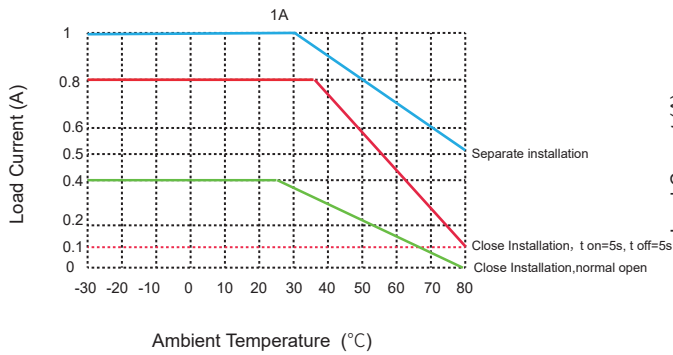


KSMA***-5D
with Socket



KSMA***-(12, 24) D
with Socket

Thermal Derating Curve



General Notes

1. At 260 °C welding temperature, the whole process cannot exceed 10 seconds; the welding process cannot exceed 5 seconds at 350 °C.
2. When the ambient temperature of the product operation is high, please consider the derating as per the thermal curve.
3. The installation torque recommended for the socket connection is 0.5N·m.
4. The control terminal polarity should be correct; otherwise the product may be damaged.