

Product Description

- ◆ Small Size
- ◆ Load Current: 10A or 20A
- ◆ 12VDC or 24VDC Input
- ◆ Internal RC/MOV Protection Circuit
- ◆ 3 Phase 2 Control, Internal Delay Circuit, Interlock Circuit
- ◆ Output Connected with Wires
- ◆ RoHS Compliant



Ordering Information

KMB	380	D	10	-24	(XXX)
KMB Series (1)	Load Voltage 380: 380VAC	D: DC Control	Load Current 10: 10Amp 20: 20Amp	Control Voltage 12: 12VDC 24: 24VDC	XXX: Customized Code

Note (1): The part number selection is subject to the following list.

Information	10A	20A
12VDC	KMB380D10-12	KMB380D20-12
24VDC	KMB380D10-24	KMB380D20-24

General Specifications

Input Specifications (Ta=25°C)		
Control Voltage Range	-12	9.6-14.4VDC
	-24	19.2-28.8VDC
Must Turn-on Voltage	-12	9.6VDC
	-24	19.2VDC
Must Turn-off Voltage	2VDC	
Maximum Input Current	15mA	

Output Specifications (Ta=25°C)		
Load Voltage Range	24-440VAC	
Maximum Transient Overvoltage	800Vpk	
Minimum Load Current	100mA	
Minimum Delay Turn-on Time	40ms	
Maximum Turn-off Time	20ms	
Maximum 1 Cycle Surge Current (50Hz)	10A	100A
	20A	200A
Maximum Off-State Leakage Current@Rated Load Voltage	5mA	
Maximum On-State Voltage Drop@Rated Current	1.5Vrms	
Minimum Off-State dv/dt@Maximum Rated Voltage	200V/μs	

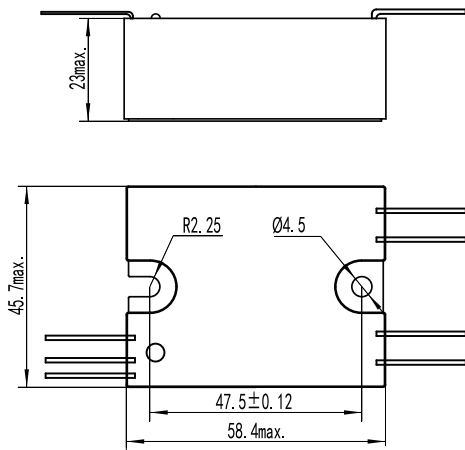
General Specifications (Ta=25°C)		
Dielectric Strength (50/60Hz)	Input/Output	4000Vrms
	Input, output/Base	2500Vrms
Minimum Insulation Resistance (@500VDC)	1000MΩ	
Ambient Temperature Range	-30°C ~ +80°C	
Storage Temperature Range	-30°C ~ +100°C	
Pulse Immunity level	IEC61000-4-4	2kV/100kHz
Surge Immunity level	IEC61000-4-5	2kV/common mould, 1kV/different mould
Electrostatic Discharge Immunity level	IEC61000-4-2	4kV/contact discharge, 8kV/air discharge

General Specifications (Ta=25°C)	
Weight (Typical)	130g
Working Status Indication	Forward:Green
	Reversion:Red

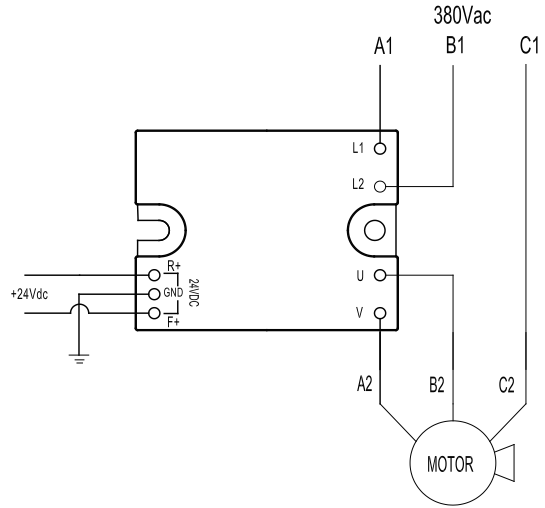
Applications

Three phase motor reversing control, such as electric actuator, transformer with onload voltage regulating, and etc.

Outline Dimensions/Wiring Diagram

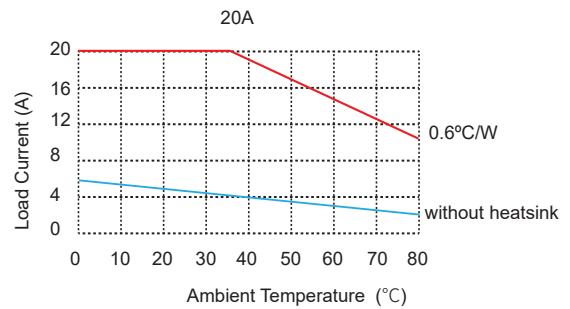
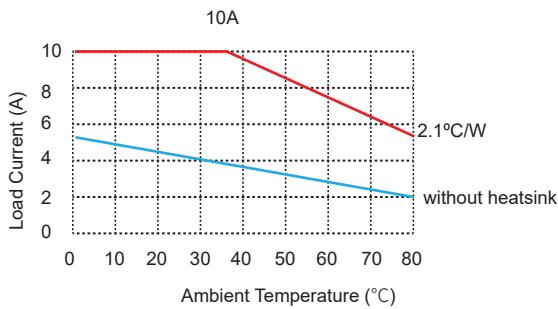


Outline Dimensions



Wiring Diagram

Thermal Derating Curve



General Notes

1. Please make sure the product can handle the surge current of the load.
2. Switching time must exceed 40ms.
3. When the operation temperature is high, please consider the derating as per the thermal curve.